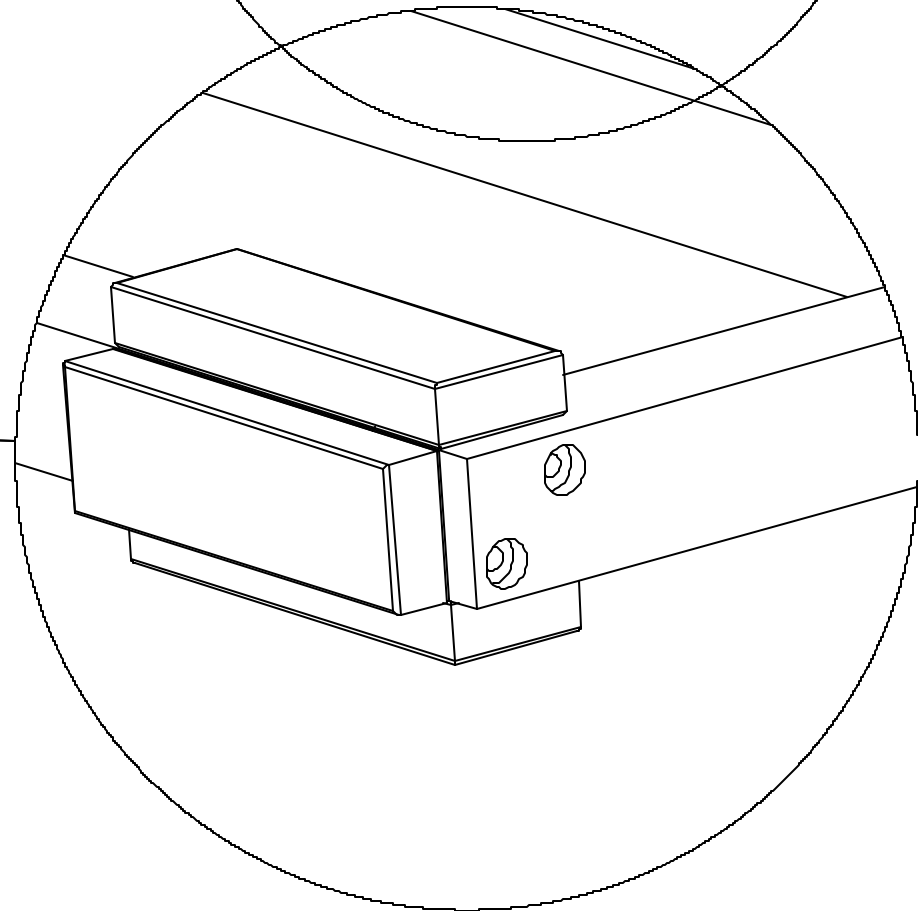
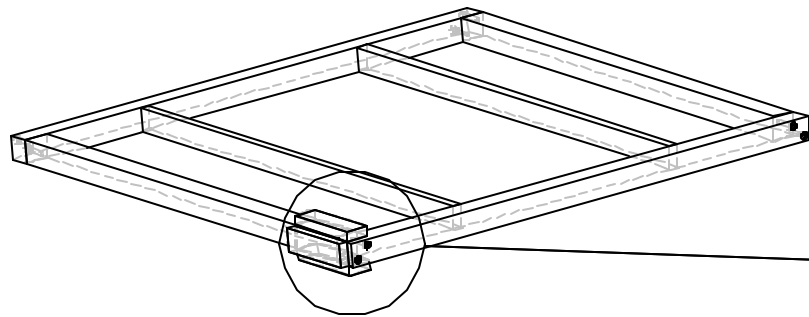
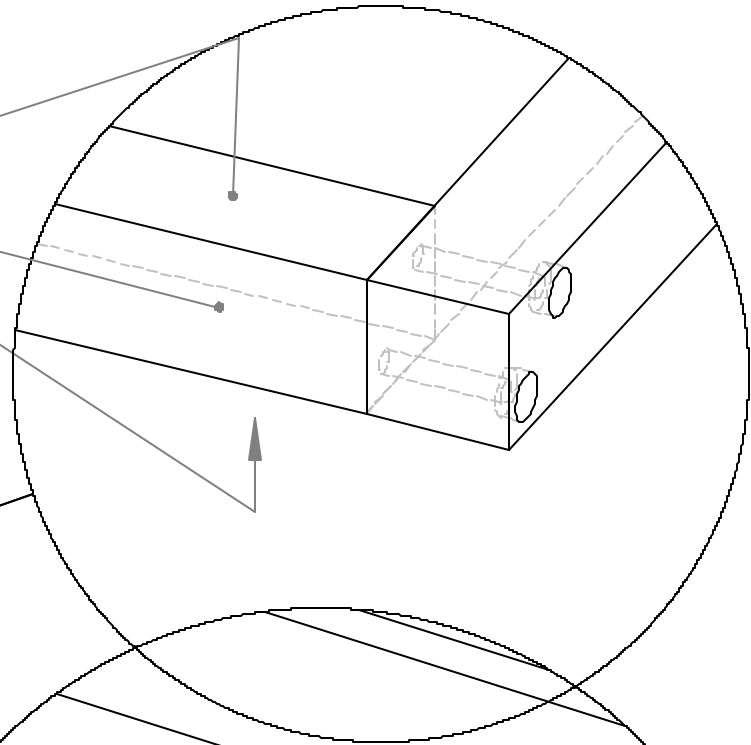
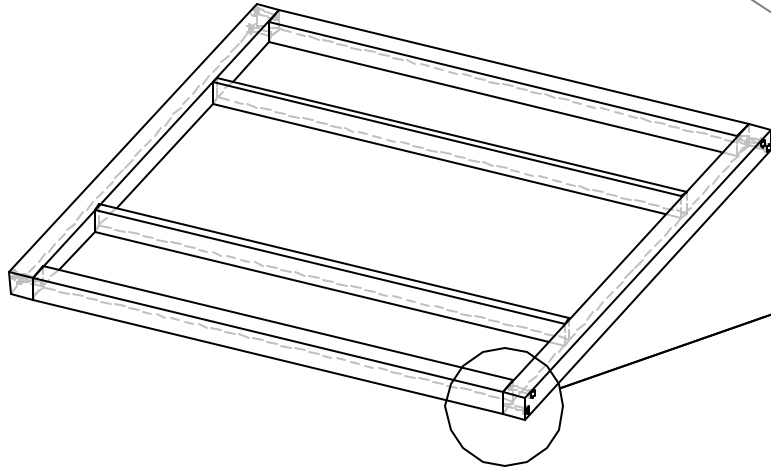


Sheet 2

It Really helps to screw temporary Pieces of wood (12" 2x4 pcs.) to the top, bottom, and outside edge of the side boards. This helps hold the front and back boards in place for drilling the start holes in the ends of the 2 side 4x4's. Also screwing in the lag bolts is easier this way too.



Use the same 3 pieces At each corner
1. Screw on 3 2x4 pcs Like shown
2. Drill Start Holes on layout marks at least 4" deep